



Project:	_____
Location:	_____
Item #:	_____
Quantity:	_____

Worktop Refrigerators

Three Section Model with Doors

Doors, tops and interior floor of stainless steel.
Aluminum ends and interior.

VUR-72-SBS

VUR-72-SST



VUR-72-SST

Standard Features:

- Stainless Steel Doors, Tops and Interior Bottom Construction Provides Durable Lasting Finish
- Durable Aluminum Interior Sides and Rear for Easy Cleaning
- Models are Front Breathing and Recessible to Enable Zero Clearance Placement or Placement in Limited Access Areas
- Interior Thermometer Consistently Monitors Temperature
- Self-Closing Door With Replaceable One Piece Magnetic Gasket Maintains Positive Seal
- Horizontal Recessed Heavy-Duty Handles Provide Quicker, Easier Access to Cabinets
- Heavy-Duty, Epoxy Coated Steel Shelves Accept Heavy Loads and Offer Easy Clean-Up
- Adjustable Shelves Provide Storage Flexibility
- Energy Saving, High Density, Polyurethane Foam Insulation Promotes Cold Retention
- Anti-Corrosion Coated Evaporator Coil Assures Lasting Performance
- Automatic Condensation Evaporation System
- Balanced Energy Efficient Refrigeration System
- Environmentally Friendly R-134a Refrigerant

- Plugs into Standard 115 Outlets - Cord and Plug Attached for Easy Installation
- 5" Heavy-Duty Swivel Casters with Brakes Provides Mobility
- Completely Finished and Enclosed Cabinet Back
- Stainless Steel Backsplash for SBS Model

Optional Features and Accessories:

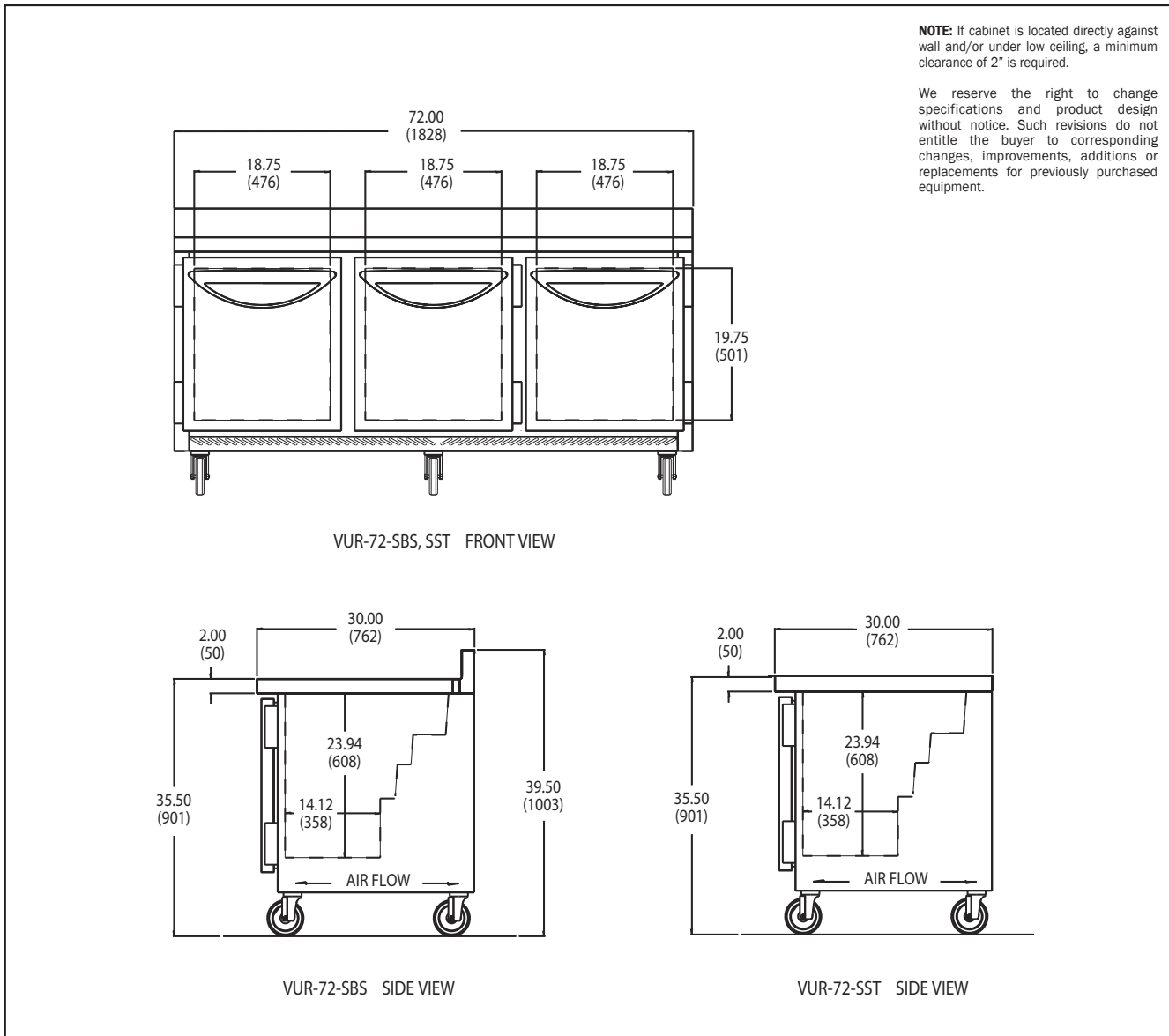
- 3" Heavy-Duty Swivel Casters with Brakes
- 6" Adjustable Stainless Steel Legs
- Single and Double Overshelf
- Stainless Steel Back
- Door Mounted Dial Thermometer
- Cylinder Locks

Approvals:	  	Victory Refrigeration specification sheets are available online at www.victory-refrig.com .
------------	---	---

CHARACTERISTICS	VUR-72-SBS	VUR-72-SST
Width, Overall	72	72
Depth, Overall	30	30
Height, Overall	39 1/2	39 1/2
Height, Work Area	35 1/2	35 1/2
Capacity Net (cubic feet)	19.4	19.4
No. of Full Doors	3	3
No. of Shelves	6	6
Cabinet Voltage	115/60/1	115/60/1
Condensing Unit Voltage	115/60/1	115/60/1
Condensing Unit Size (HP)	1/3	1/3
Total Amperes	8.8	8.8

Crated dim. & wts.	Ht.	Width	Depth	Lbs.
VUR-72-SBS	48 1/2	77	39 1/2	400
VUR-72-SST	48 1/2	77	39 1/2	450

Dimensional tolerance ± 1/4" Metric dimensions (MM)



Continuous product development may necessitate specification changes and design without notice.



Victory participates in the KCL CADalog, the most current source of CAD symbols for foodservice designers worldwide. Symbols include standard equipment in plan, side, front and 3-D views, layered for FEDA/FCSI recommended guidelines.